

Cargo Optimizer

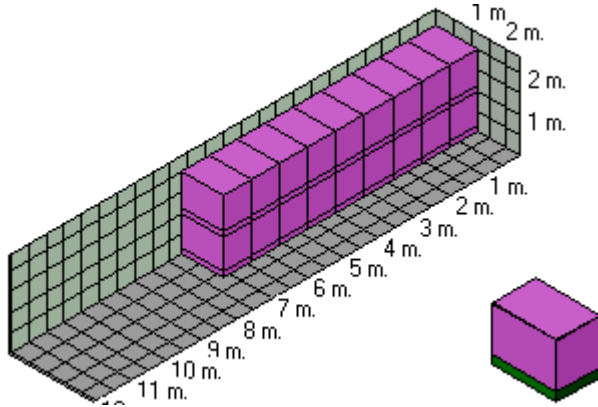
Container 1 / 1 40' Dry cargo

Shipment ID Copy of Shipment 1

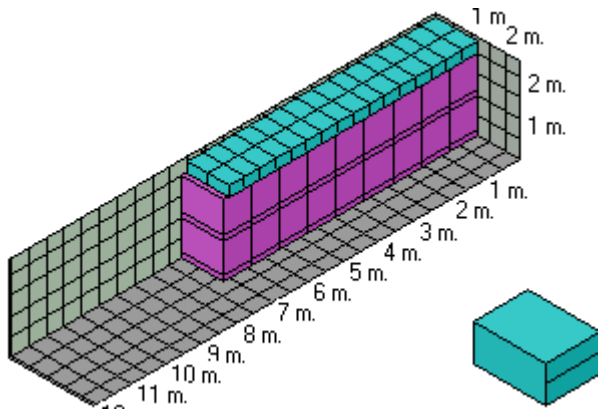
Wgt. 46,711.20 kg. 146.89 %

Customer Customer Name 001

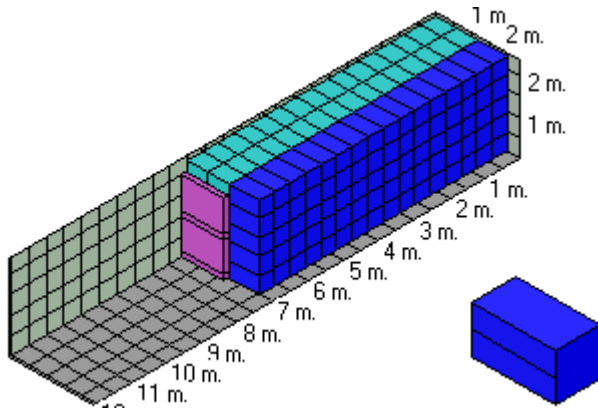
Vol. 63.89 CB.M. 94.56 %



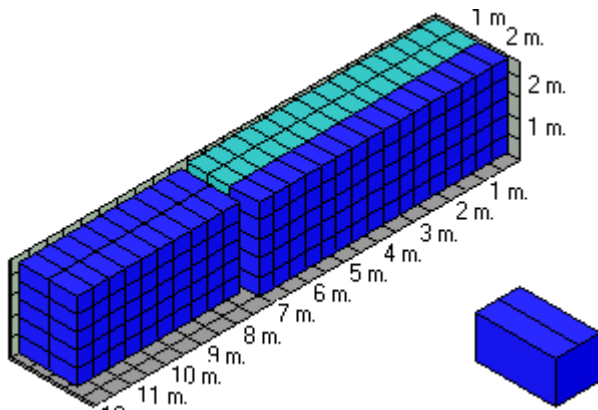
Step	1 / 13	Quantity	18
SKU #	Pallet 2		
Name	Pallet sample 2		
Arrange	9 Deep x	80.00 cm.	
	1 Wide x	120.00 cm.	
	2 High x	100.00 cm.	
Position	0.00	cm. from back	
	0.00	cm. from left wall	
	0.00	cm. from floor	



Step	2 / 13	Quantity	32
SKU #	Sample pack 3		
Name	Cargo 003		
Arrange	16 Deep x	44.00 cm.	
	2 Wide x	58.00 cm.	
	1 High x	30.00 cm.	
Position	0.00	cm. from back	
	0.00	cm. from left wall	
	200.00	cm. from floor	



Step	3 / 13	Quantity	80
SKU #	Sample pack 1		
Name	Cargo 001		
Arrange	16 Deep x	44.00 cm.	
	1 Wide x	83.00 cm.	
	5 High x	46.00 cm.	
Position	0.00	cm. from back	
	120.00	cm. from left wall	
	0.00	cm. from floor	



Step	4 / 13	Quantity	100
SKU #	Sample pack 1		
Name	Cargo 001		
Arrange	10 Deep x	46.00 cm.	
	2 Wide x	83.00 cm.	
	5 High x	44.00 cm.	
Position	720.00	cm. from back	
	0.00	cm. from left wall	
	0.00	cm. from floor	

Cargo Optimizer

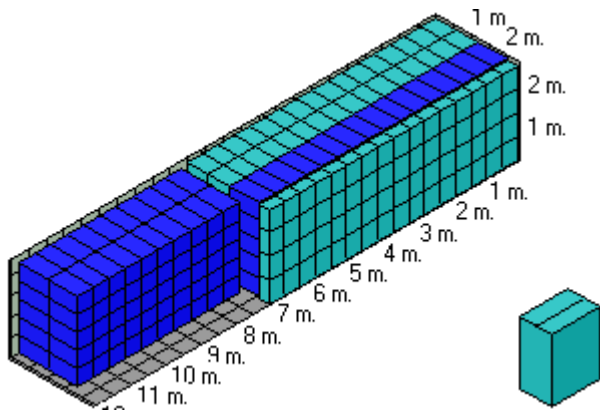
Container 1 / 1 40' Dry cargo

Shipment ID Copy of Shipment 1

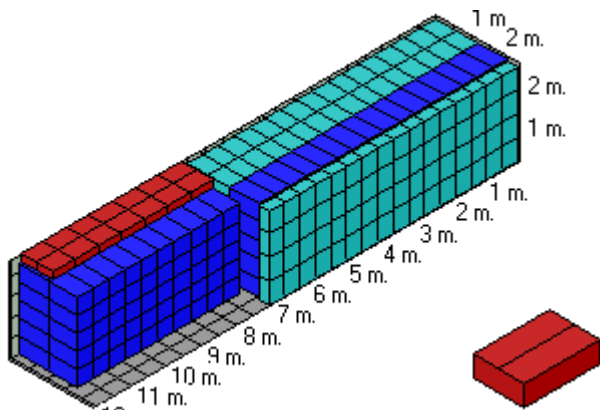
Wgt. 46,711.20 kg. 146.89 %

Customer Customer Name 001

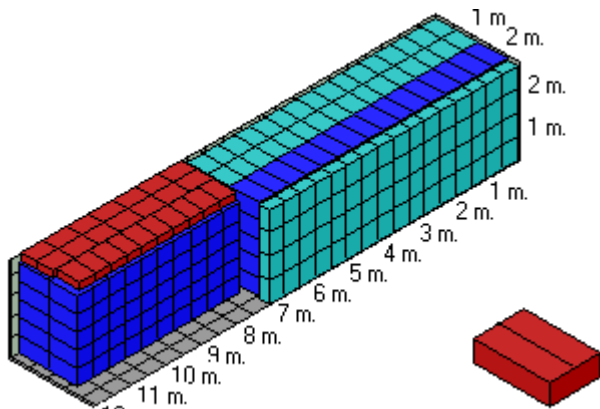
Vol. 63.89 CB.M. 94.56 %



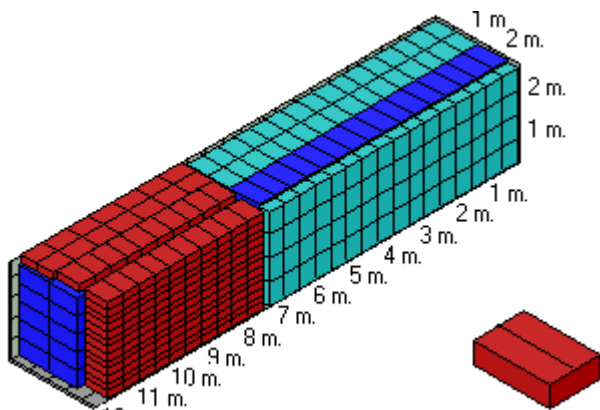
Step	5 / 13	Quantity	64
SKU #	Sample pack 3		
Name	Cargo 003		
Arrange	16 Deep x	44.00 cm.	
	1 Wide x	30.00 cm.	
	4 High x	58.00 cm.	
Position	0.00	cm. from back	
	205.00	cm. from left wall	
	0.00	cm. from floor	



Step	6 / 13	Quantity	14
SKU #	Sample pack 2		
Name	Cargo 002		
Arrange	7 Deep x	65.00 cm.	
	2 Wide x	44.00 cm.	
	1 High x	18.00 cm.	
Position	720.00	cm. from back	
	0.00	cm. from left wall	
	220.00	cm. from floor	



Step	7 / 13	Quantity	10
SKU #	Sample pack 2		
Name	Cargo 002		
Arrange	10 Deep x	44.00 cm.	
	1 Wide x	65.00 cm.	
	1 High x	18.00 cm.	
Position	720.00	cm. from back	
	88.00	cm. from left wall	
	220.00	cm. from floor	



Step	8 / 13	Quantity	130
SKU #	Sample pack 2		
Name	Cargo 002		
Arrange	10 Deep x	44.00 cm.	
	1 Wide x	65.00 cm.	
	13 High x	18.00 cm.	
Position	720.00	cm. from back	
	170.00	cm. from left wall	
	0.00	cm. from floor	

Cargo Optimizer

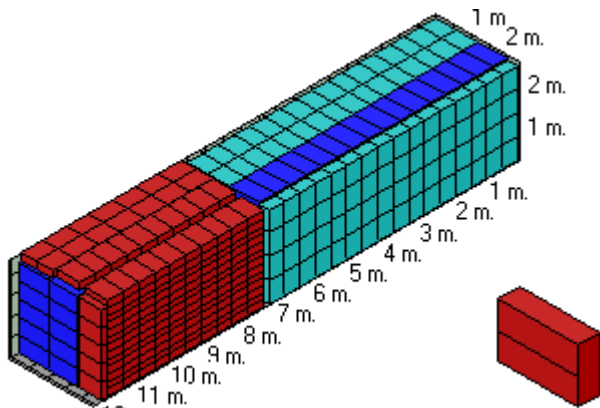
Container 1 / 1 40' Dry cargo

Shipment ID Copy of Shipment 1

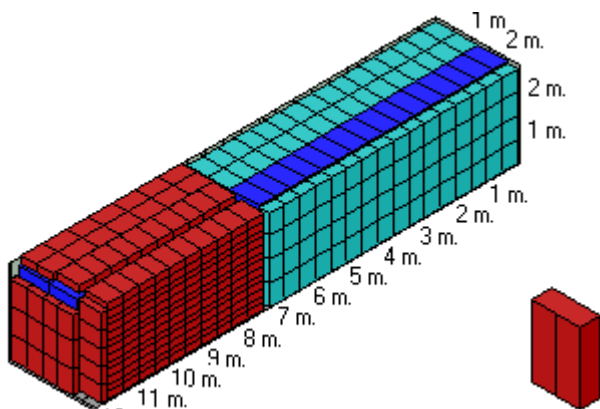
Wgt. 46,711.20 kg. 146.89 %

Customer Customer Name 001

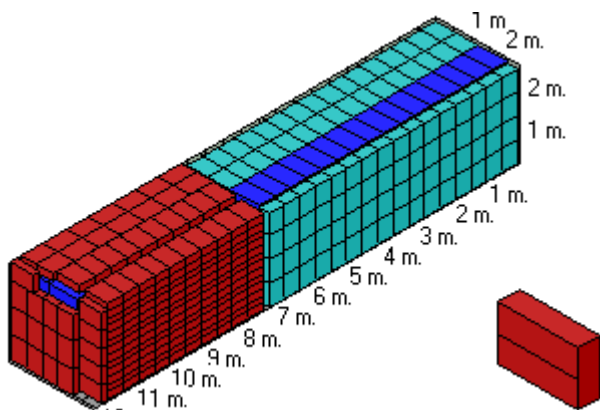
Vol. 63.89 CB.M. 94.56 %



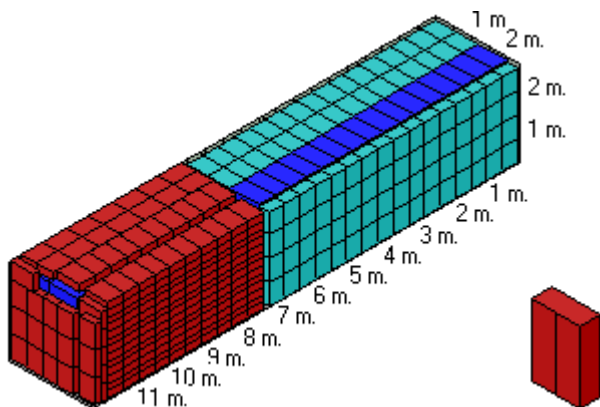
Step	9 / 13	Quantity	5
SKU #	Sample pack 2		
Name	Cargo 002		
Arrange	1 Deep x	18.00 cm.	
	1 Wide x	65.00 cm.	
	5 High x	44.00 cm.	
Position	1160.00	cm. from back	
	170.00	cm. from left wall	
	0.00	cm. from floor	



Step	10 / 13	Quantity	12
SKU #	Sample pack 2		
Name	Cargo 002		
Arrange	1 Deep x	18.00 cm.	
	4 Wide x	44.00 cm.	
	3 High x	65.00 cm.	
Position	1180.00	cm. from back	
	0.00	cm. from left wall	
	0.00	cm. from floor	



Step	11 / 13	Quantity	1
SKU #	Sample pack 2		
Name	Cargo 002		
Arrange	1 Deep x	18.00 cm.	
	1 Wide x	65.00 cm.	
	1 High x	44.00 cm.	
Position	1180.00	cm. from back	
	0.00	cm. from left wall	
	195.00	cm. from floor	



Step	12 / 13	Quantity	3
SKU #	Sample pack 2		
Name	Cargo 002		
Arrange	1 Deep x	18.00 cm.	
	1 Wide x	44.00 cm.	
	3 High x	65.00 cm.	
Position	1180.00	cm. from back	
	191.00	cm. from left wall	
	0.00	cm. from floor	

Cargo Optimizer

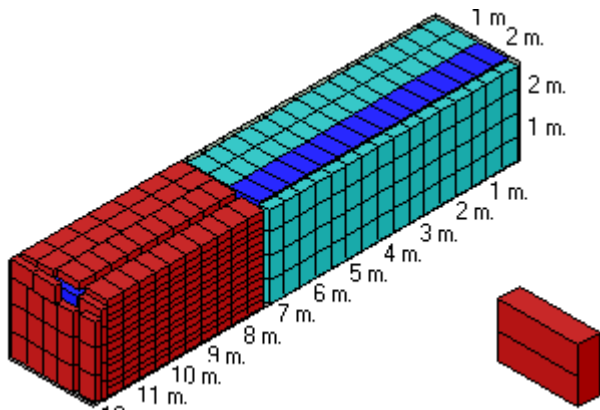
Container 1 / 1 40' Dry cargo

Shipment ID Copy of Shipment 1

Wgt. 46,711.20 kg. 146.89 %

Customer Customer Name 001

Vol. 63.89 CB.M. 94.56 %



Step	13 / 13	Quantity	1
SKU #	Sample pack 2		
Name	Cargo 002		
Arrange	1 Deep x	18.00 cm.	
	1 Wide x	65.00 cm.	
	1 High x	44.00 cm.	
Position	1180.00	cm. from back	
	65.00	cm. from left wall	
	195.00	cm. from floor	